



A WORLD OF WOODCHIPPERS

Spareparts

Item no: **220ES0RA**

Model: **NHS 220i**

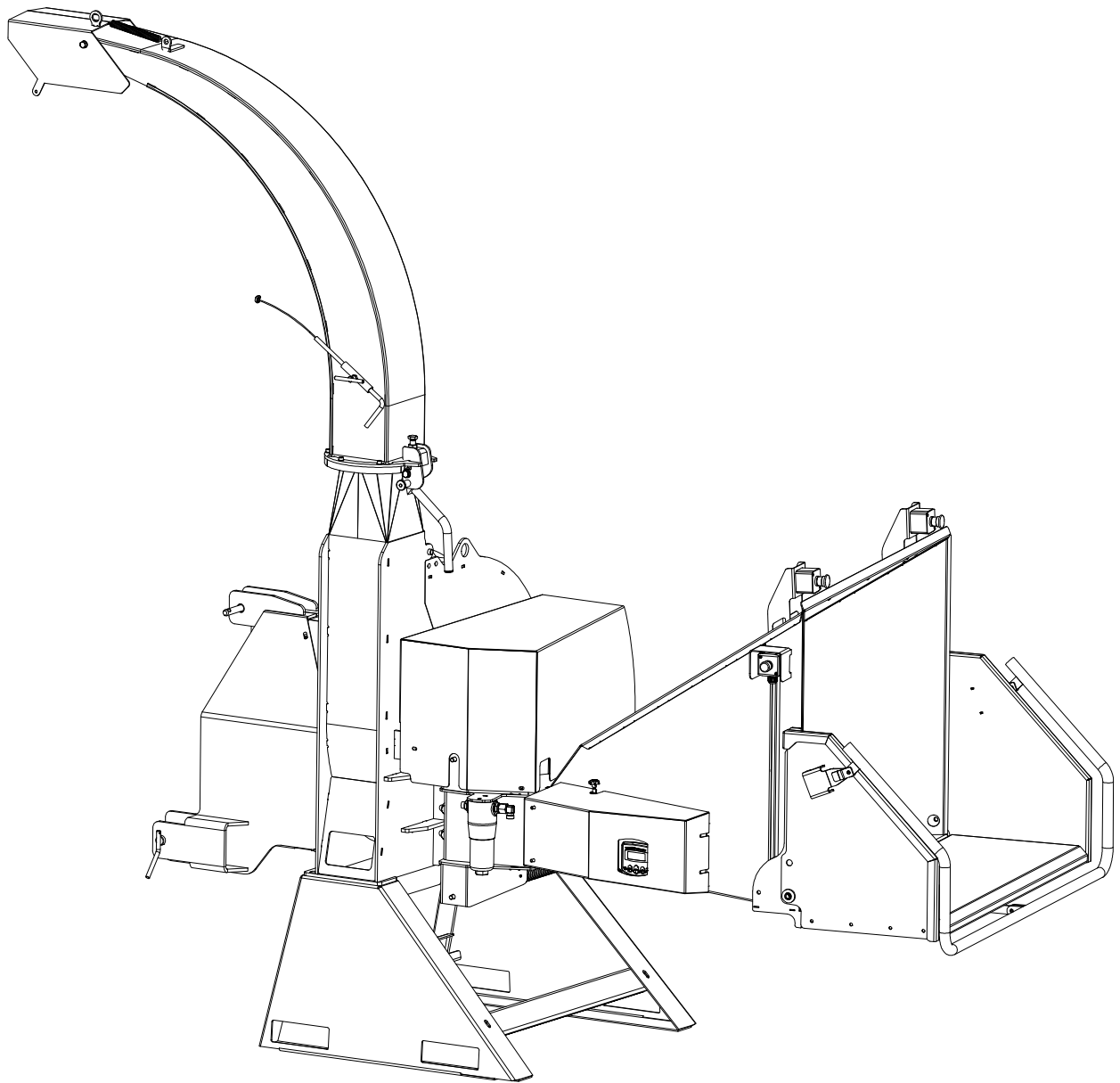
Variant: **SafeTouch**

Chipping disc: **RoughCut**

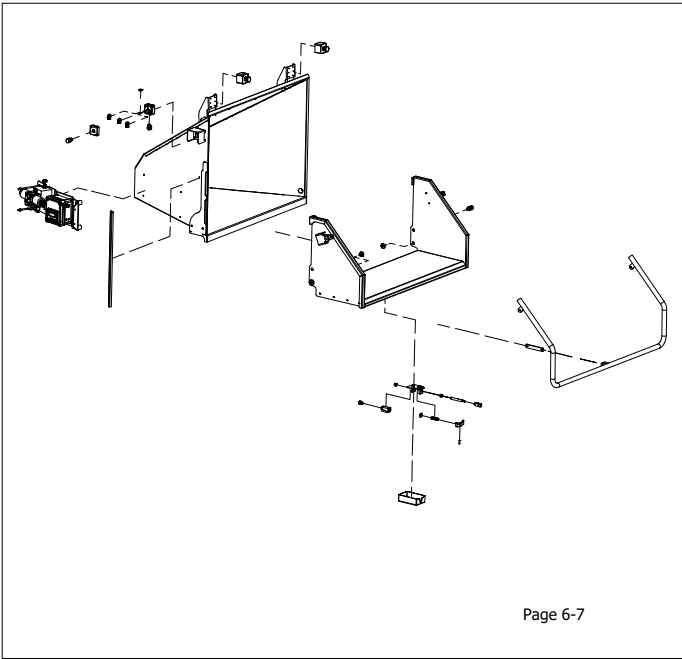
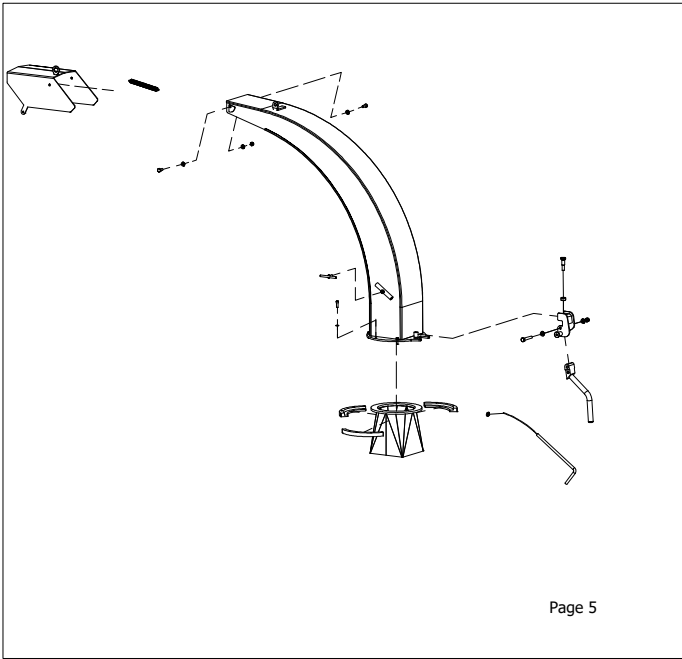
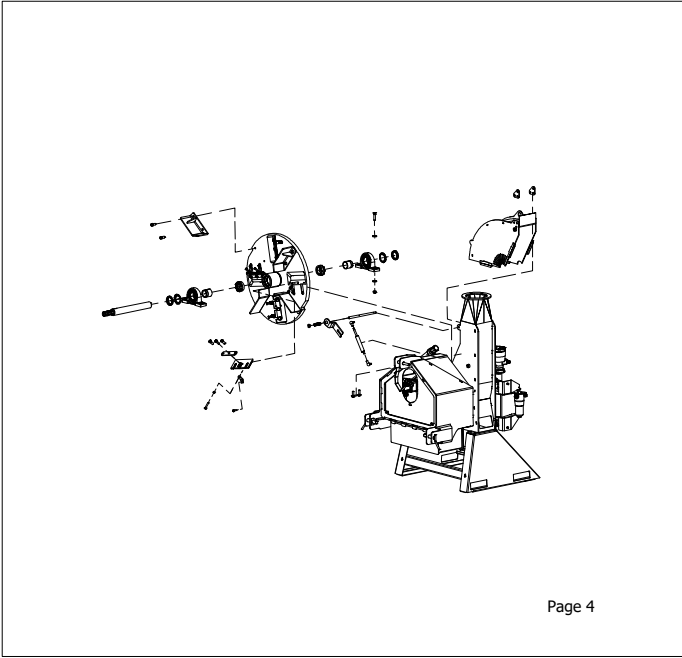
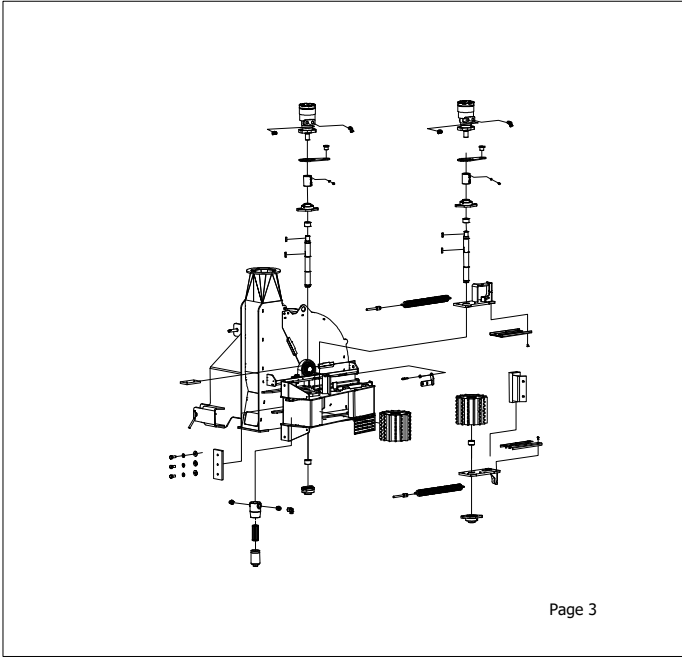
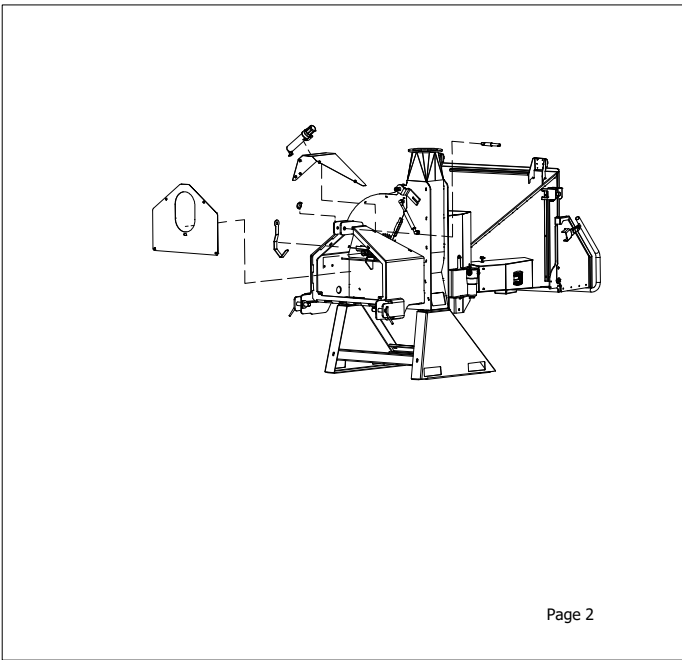
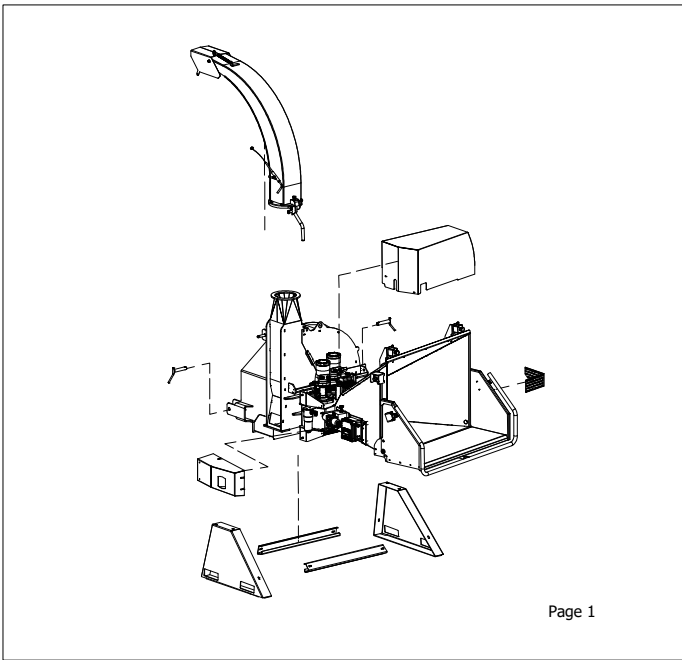
Machine no:
8666 - Present

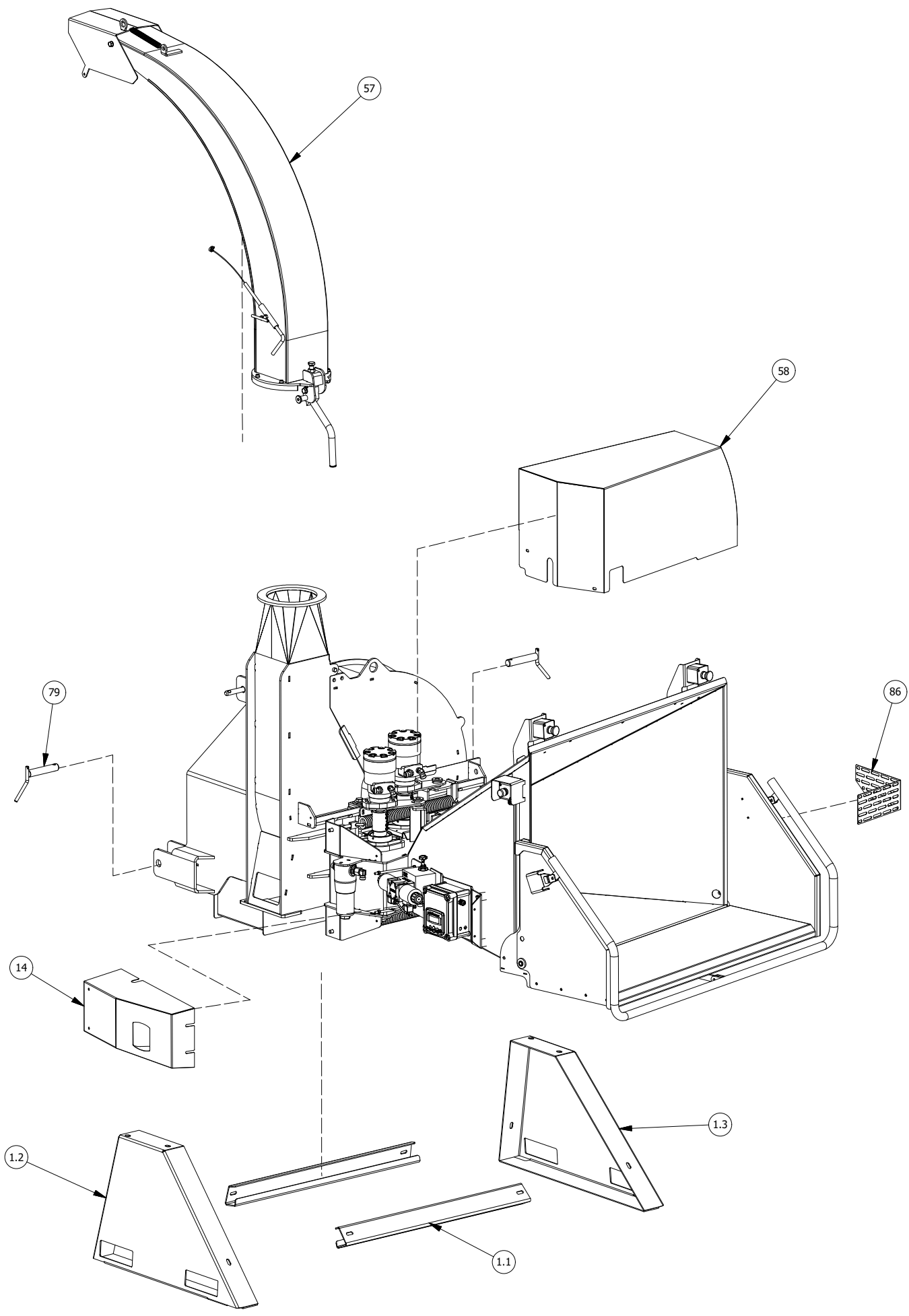
NHS

Innovation through generations

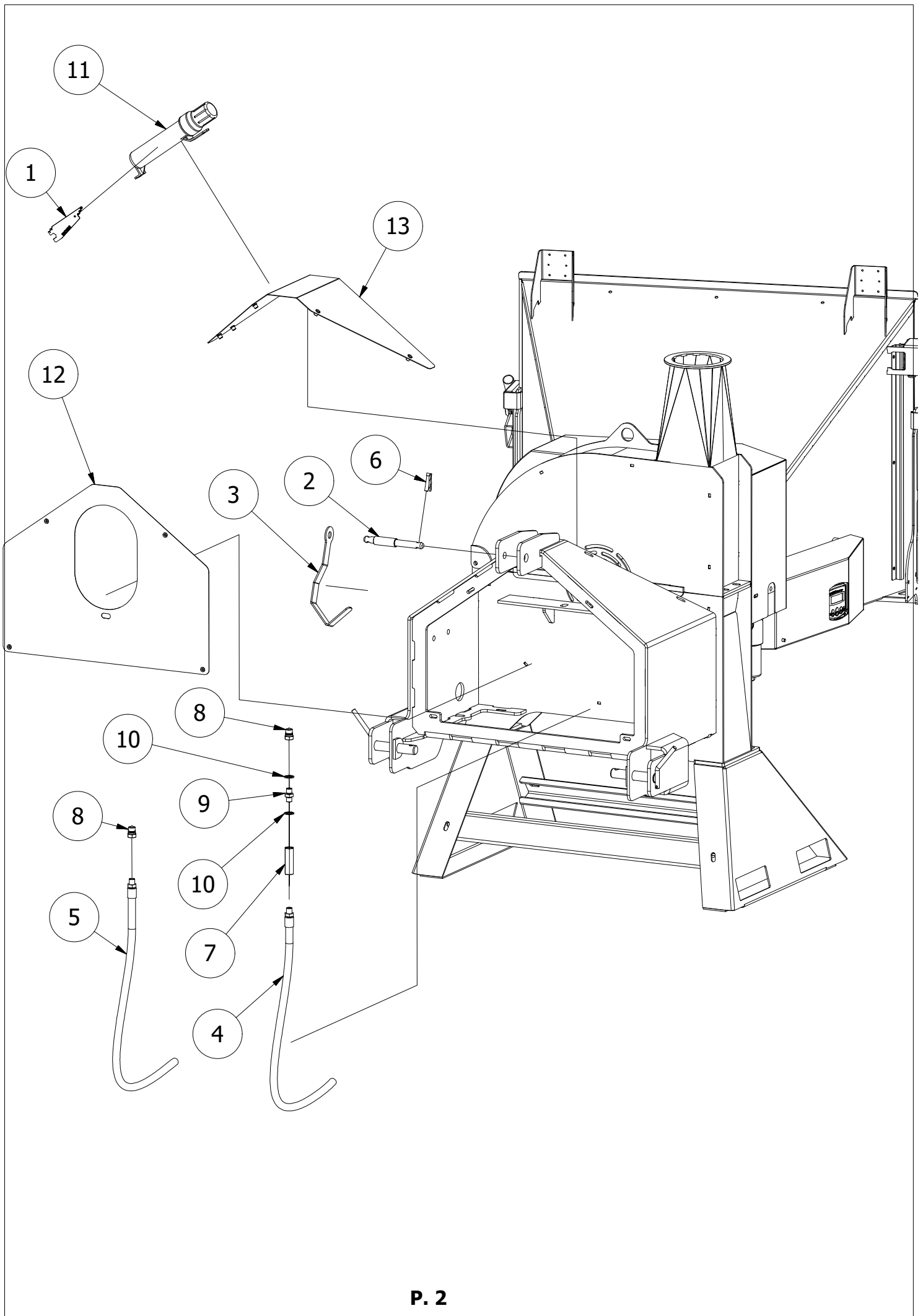


NHS 220e RoughCut

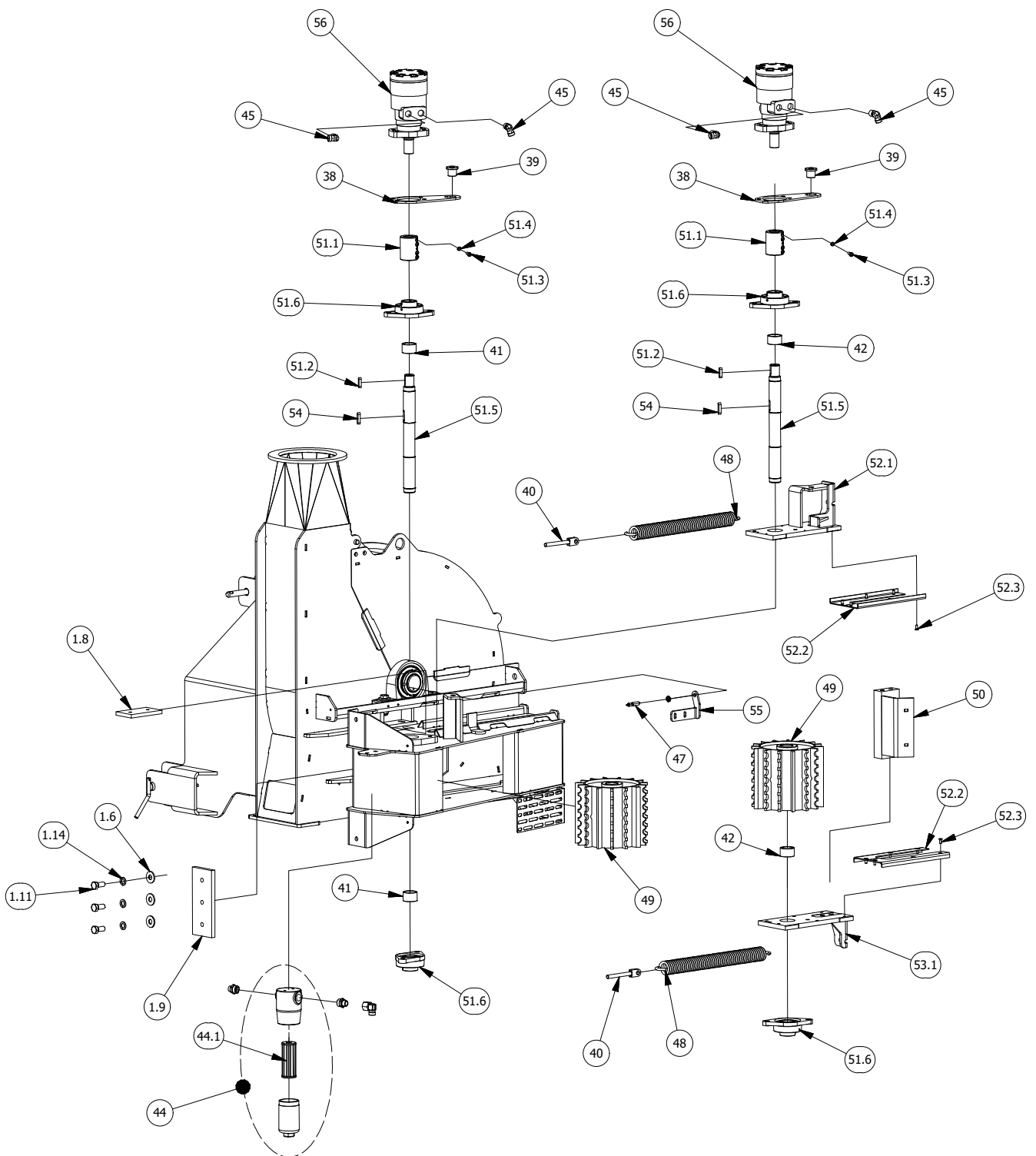




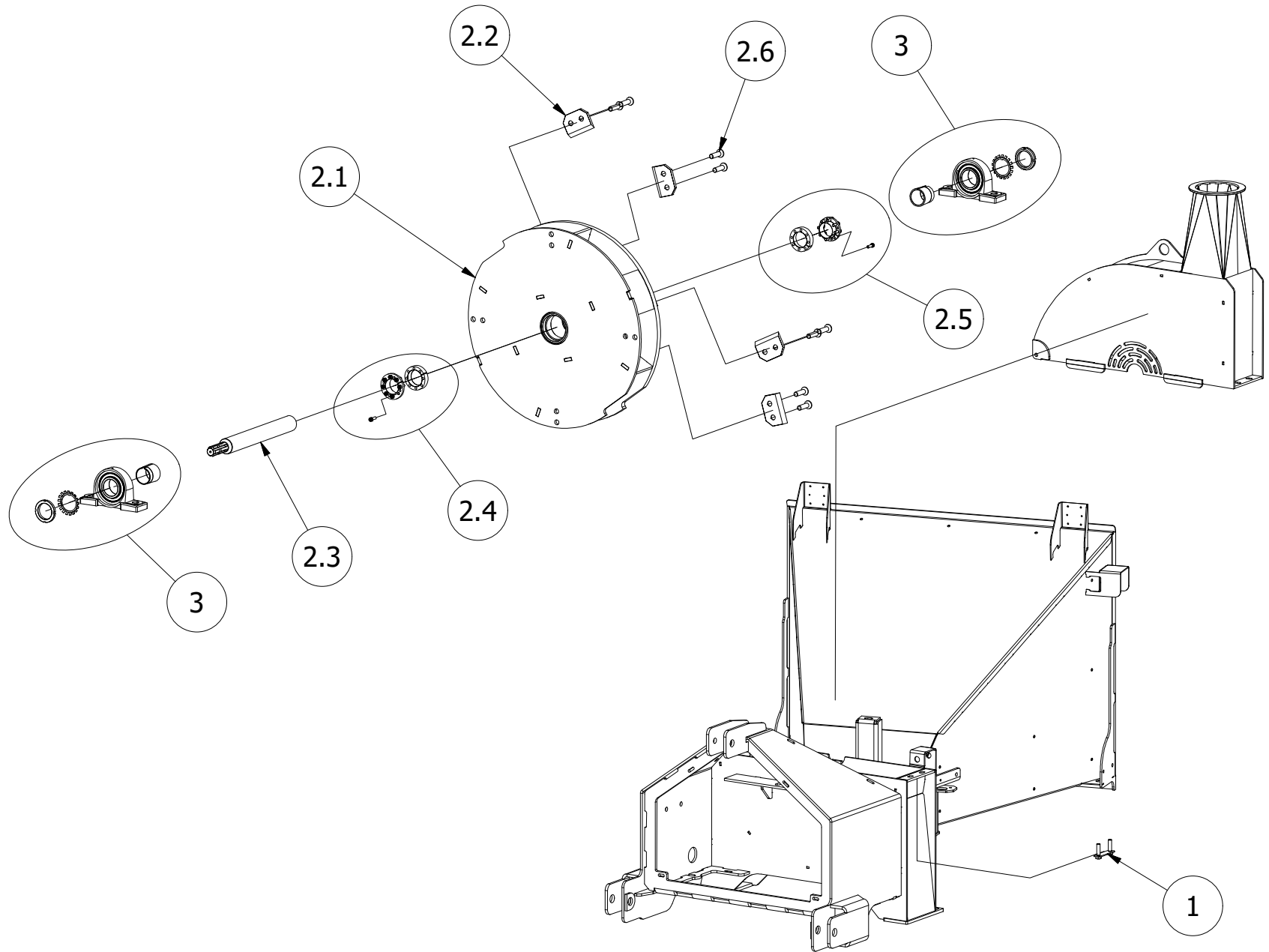
Position No.	Item No.	Pcs.	Description	Page
1.1	00020700	2	Spacer for Base piece	1
1.2	22000700	1	Base piece, left	1
1.3	22000710	1	Base piece, right	1
14	00014730	1	Shield f./ controller/ 80 ltr. - InfoCon	1
57	00008600	1	Discharge pipe. Standard, NHS 220-300	1
58	22014800	1	Shield f./ feed rollers	1
79	00001700	2	Splitbolt Ø28mm.	1
86	84000200	1	Shield (lower) f/ movable roller	1



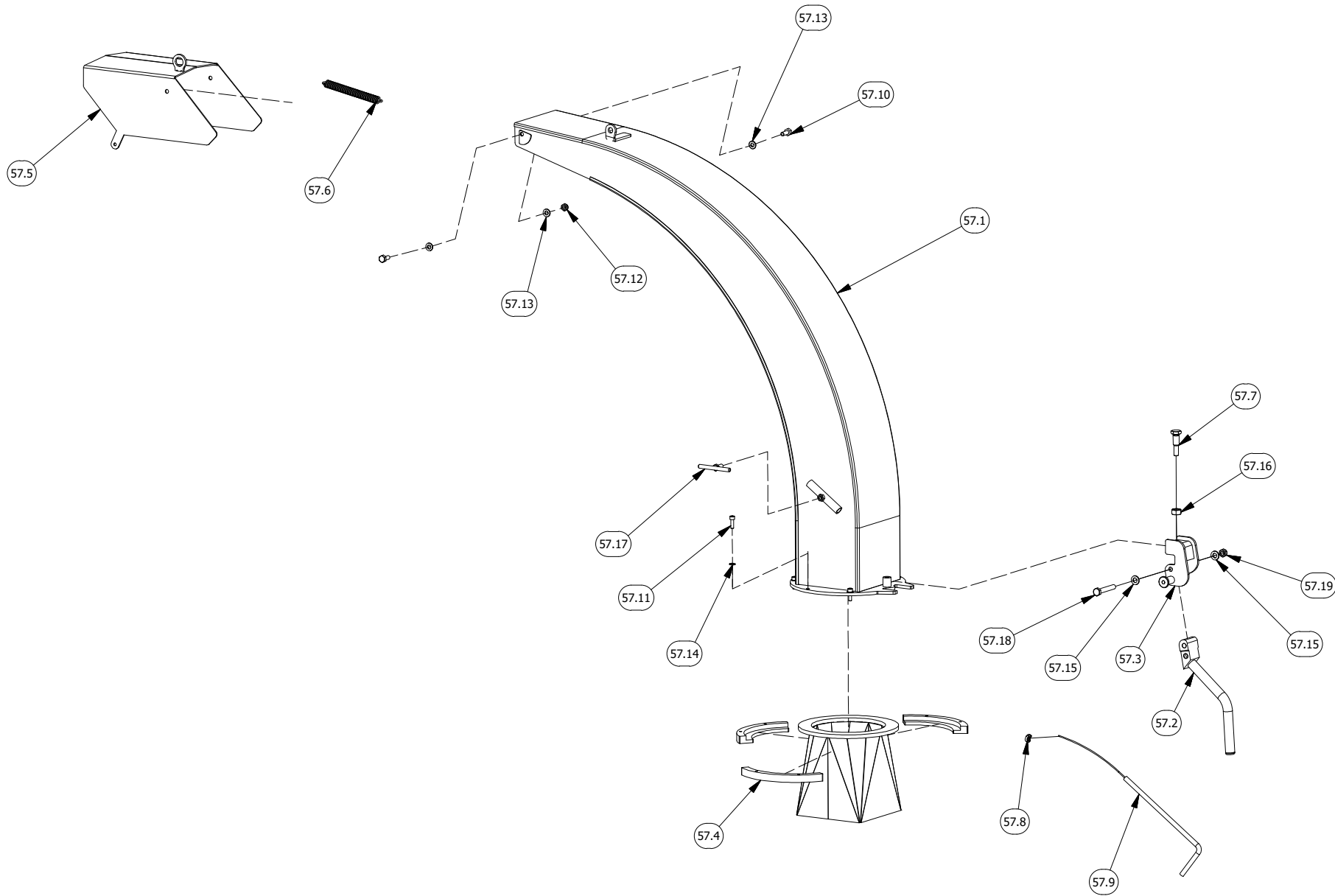
Position No.	Item No.	Pcs.	Description	Page
2	00001800	1	Top link bolt 25/19mm	2
3	00008200	1	Hook - PTO-shaft STANDARD	2
4	00017004	1	Hose f/720 V-T	2
5	00017005	1	Hose f/720 T-F	2
6	00101000	1	Linch pin 10x45mm	2
7	00103400	1	Nonreturn valve 1/2"	2
8	00105200	2	Quick coupling 1/2" MALE	2
9	00113500	1	Fitting 1/2" x 1/2"	2
10	00113600	2	Bonded Seal RG 1/2"	2
11	00149900	1	Tube f/ operators manual Ø55	2
12	22010600	1	Shield b/PTI - Front	2
13	22010610	1	Shield f/ PTI - Top	2



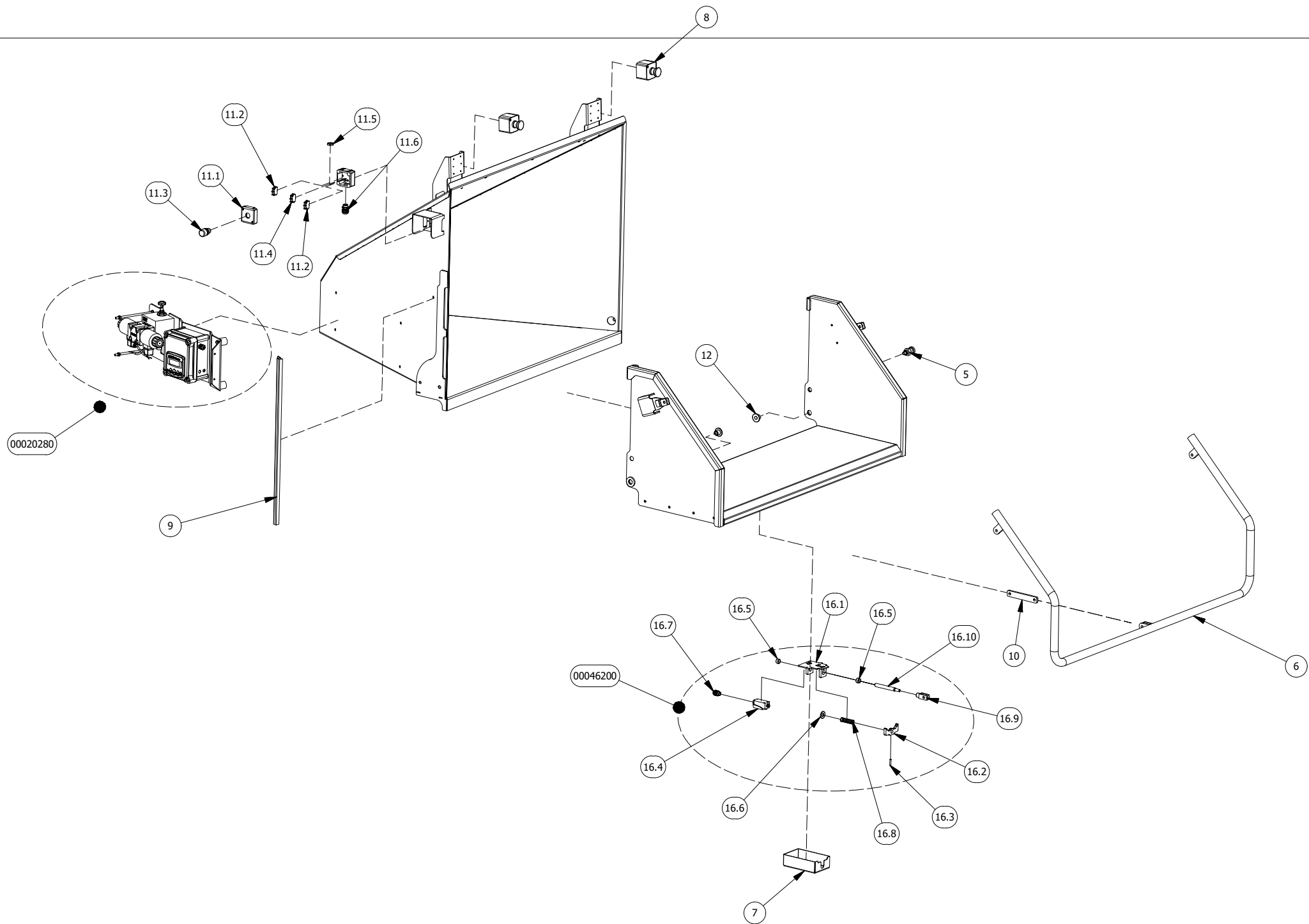
Position No.	Item No.	Pcs.	Description	Page
1.6	00007800	5	Washer - $\varnothing 40/\varnothing 17 \times 4$ mm.	3
1.8	84010100	1	Counter blade small - NHS 220 (840)	3
1.9	84010310	1	Counter blade, big - NHS 220 (840)	3
1.11	R10053	3	M16x35 Set screw, RAW 10.9 DIN 933	3
1.14	R10309	3	Spring washer $\varnothing 16$ DIN 127B FZB	3
38	00000700	2	Fixplate for Oilmotor	3
39	00001500	2	Bushing f/ Fixplate	3
40	00002700	2	Tightening bolt f/ Infeed spring	3
41	00015000	2	Spacer-bushing f/ Feedroller [Fixed roller]	3
42	00015010	2	Spacer-bushing f/ Feedroller [Moveable roller]	3
44	00103500	1	High pressure filter 3/4"	3
44.1	00103501	1	Filter-element Hydraulic	3
45	00113200	4	Angle 1/2"x15	3
47	00151710	1	Sensor for Info-Controller	3
48	72101100	2	Spring [infeed]	3
49	84013200	2	Feedroller for NHS 220-Series	3
50	84002700	1	Spacer f/ Sliding guidance	3
51.1	00003400	1	Clamping bush f/ oilmotor/roller shaft	3
51.2	00110400	1	Feather key 10x8x35 for roller shaft	3
51.3	R10094	4	M8x25 Allen screw 12:9 - DIN 912	3
51.4	R10354	4	Spring washer for M8 bolt DIN7980 FZB	3
51.5	00013400	1	Shaft for Feedroller	3
51.6	00100001	4	Bearing for Feedroller	3
52.1	84012500	1	Sliding guidance, upper.	3
52.2	84012600	2	Non-fric Glide rail [set]	3
52.3	R10081	6	M6x16 Allen screw 10:9 DIN7991	3
53.1	84012900	1	Sliding guidance, lower	3
54	84100003	2	Feather key 12x8x40	3
55	00011950	1	Bracket f/ Antistress	3
56	22132800	2	Oilmotor f/ NHS220-Series	3



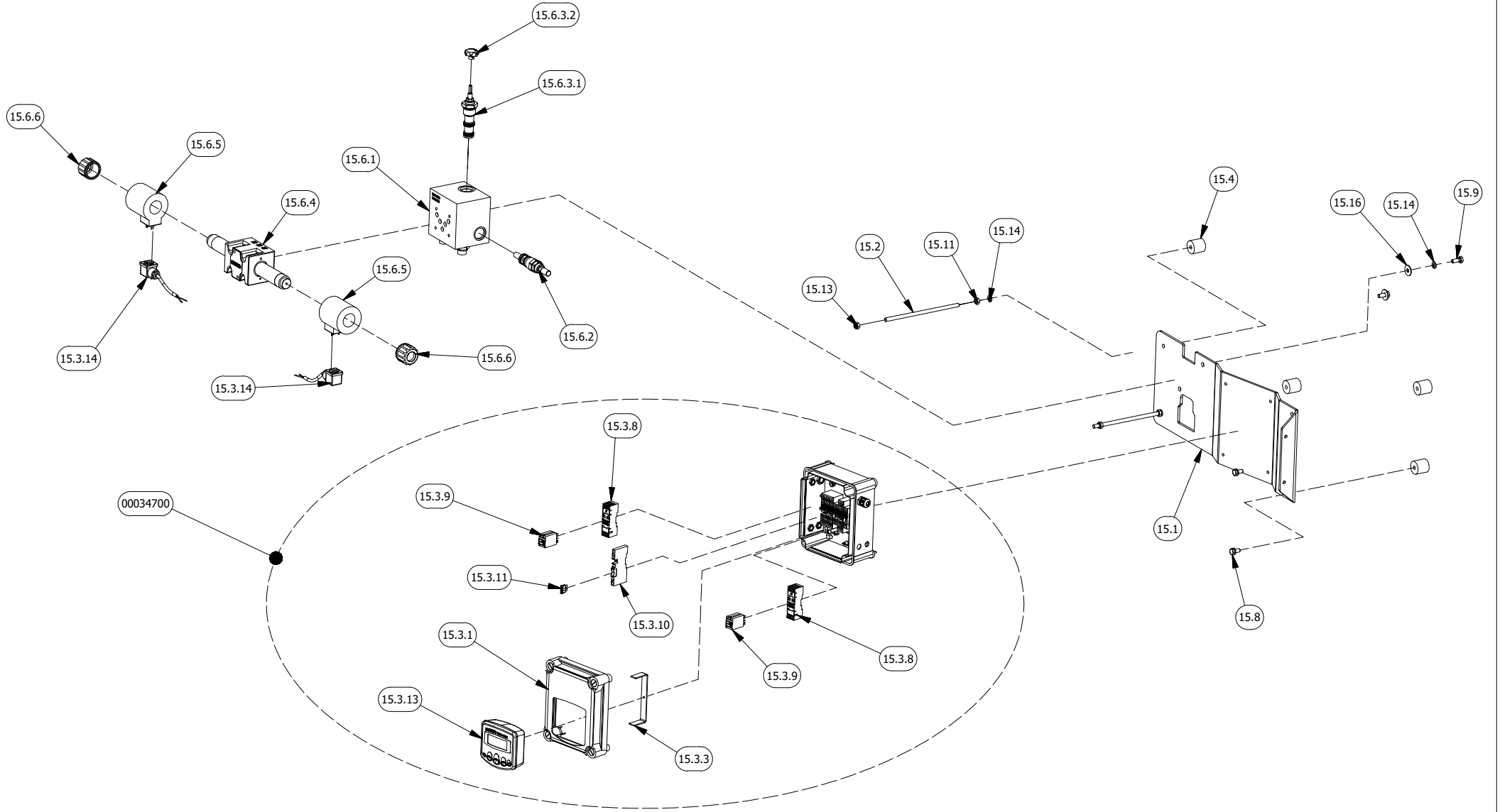
Position No.	Item No.	Pcs.	Description	Page
1	00003500	1	Double bolt f/ Chipping Disc housing	4
2.1	22000950	1	RoughCut Disc - NHS220 Series	4
2.2	22011210	4	Blade 130mm f/NHS220 Rough Cut	4
2.3	84004600	1	Shaft for Chipping disc	4
2.4	84107800	1	Clamping element f./ Chipping Disc, Fixed-Lock	4
2.5	84107810	1	Clamping Element for Chipping disc, Loose-Lock	4
2.6	R10220	8	M16x60mm bolt - DIN7991 Quality 10:9, Countersunk	4
3	84106900	2	Bearing for Chipping Disc (incl. Clamping bush)	4



Position No.	Item No.	Pcs.	Description	Page
57.1	00008700	1	Discharge pipe (Raw, without holdingsystem and flap)	5
57.2	00008610	1	Handle for lock	5
57.3	00008620	1	Lock for Discharge pipe, cpl.	5
57.4	00008630	3	Clamping piece f/ Discharge pipe	5
57.5	84002500	1	Flap f/ Discharge pipe	5
57.6	00100100	1	Spring f/ flap on Discharge Pipe	5
57.7	00008625	1	Adjusting screw M16	5
57.8	00101400	1	Wire lock 3/16"	5
57.9	00008635	1	Adjusting rod f./ flap 1320mm	5
57.10	R10013	2	M10x25 Set screw FZB 8.8	5
57.11	R10041	6	M8x25 Allen screw CH FZB 8.8	5
57.12	R10204	2	M10 Lock nut FZB 8.8	5
57.13	R10315	4	Washer 3/8" Ø10,5/21x2,0mm FZB	5
57.14	R10300	6	Locking washer Ø8 Nordlock FZB	5
57.15	R10316	2	Washer Ø13/24x2,5 DIN 125A FZB	5
57.16	R10107	1	M16 Nut FZB 8.8	5
57.17	00002300	1	Bolt f/ Adjusting rod	5
57.18	R10372	1	M12x80 Bolt FZB	5
57.19	R10205	1	M12 Lock nut FZB 8.8	5



Position No.	Item No.	Pcs.	Description	Page
5	00004400	1	Positioning bolt M20x1.5	6
6	22000110	1	Safety bar SafeTouch	6
7	00026300	1	Shielding for switch plate	6
8	72190500	2	Emergency stop switch for funnel	6
9	00016520	2	Cable rail for emergency stop	6
10	00020500	1	Spacer-plate for Safety bar	6
11.1	00126300	1	Housing for Push Button [Reset]	6
11.2	00126400	2	Contact block N/O [End]	6
11.3	00126200	1	Push Button Green [without housing]	6
11.4	00164500	1	Contact block N/C	6
11.5	00127600	1	M20 Plastic Nut f/ AGT	6
11.6	00104724	1	M20 Cable Gland Ø5-12 mm	6
12	15011500	2	Bushing f/tilt console	6
16.1	00046210	1	Switch plate	6
16.2	00046215	1	Switch button	6
16.3	R10068	1	Clamping pin Ø5x25	6
16.4	00114705	1	Microswitch f/ Control	6
16.5	00036220	2	Bushing f/SafeTouch	6
16.6	R10320	1	Washer 1/2" Ø14,5x29x3mm	6
16.7	00104718	1	M16 Screw connection Ø4-8mm, grey	6
16.8	00167010	1	Compression spring f/ Safety bar	6
16.9	00138610	1	Fork end M10 f/ Gas spring incl. Clips	6
16.10	00046205	1	Positioning bar f/ SafeTouch	6
-	00020280	1	Electric control hyd. f/ NHS 220/300	6
-	00046200	1	Switch plate cpl. [NHS SafeTouch]	6



Position No.	Item No.	Pcs.	Description	Page
15.1	00001310	1	Mounting plate, cpl. 80l.	7
15.2	00017200	2	M8x195 Threaded rod FZB	7
15.3.1	00034750	1	Terminal box - OneTouch	7
15.3.3	00014751	1	Bracket f/ Info-Controller	7
15.3.8	00104709	2	Relay-Base f/ DIN-rail [S7MP]	7
15.3.9	00104703	2	Relay f/ controller	7
15.3.10	00104735	1	Fuse holder f/ DIN-rail	7
15.3.11	00126700	1	Fuse 10A [Auto]	7
15.3.13	00151700	1	Info-controller f/ ABS	7
15.3.14	00114701	2	Connector f/ Solenoid	7
15.4	00109600	4	Vibration damper 30/30-M8	7
15.6.1	00164305	1	Aluminum block f/ Valve manifold - 80 lt	7
15.6.2	00164402	1	Pressure relief valve Cartridge	7
15.6.3.1	00164403	1	Valve for flow control	7
15.6.3.2	00010700	1	Star grib-knob f/ Flow control	7
15.6.4	00164301	1	Solenoid valve f/ 00164300 [NG10]	7
15.6.5	00164302	2	Solenoid valve coil [NG10] 12V	7
15.8	R10006	2	M8x16 Set screw FZB 8.8	7
15.9	R10007	2	M8x20 set Screw FZB 8.8	7
15.11	R10103	2	M8 Nut FZB 8.8	7
15.13	R10203	2	M8 Lock nut FZB 8.8	7
15.14	R10305	6	Spring washer Ø8mm	7
15.16	R10313	2	Washer Ø8, 4/24x2mm	7
-	00164300	1	Valve manifold 80ltr.	7
-	00034700	1	Electric control cpl.	7

